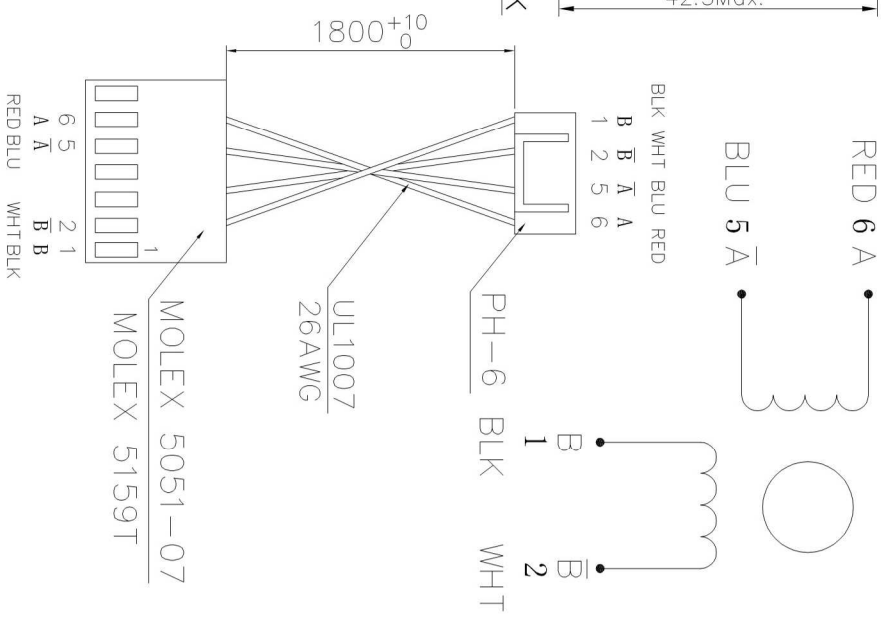
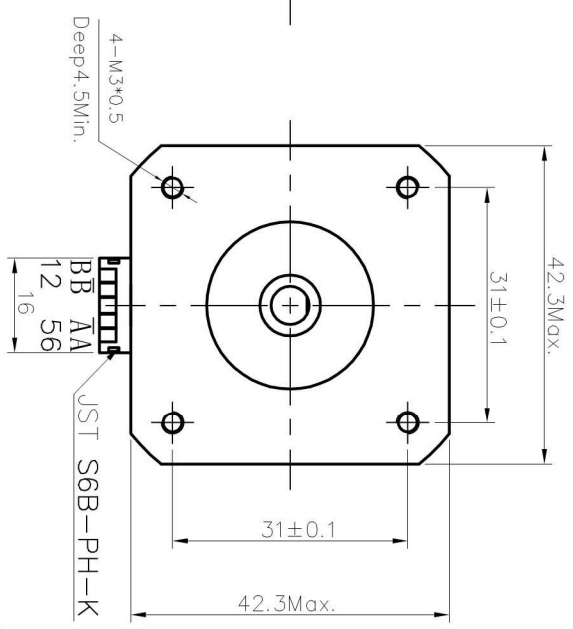
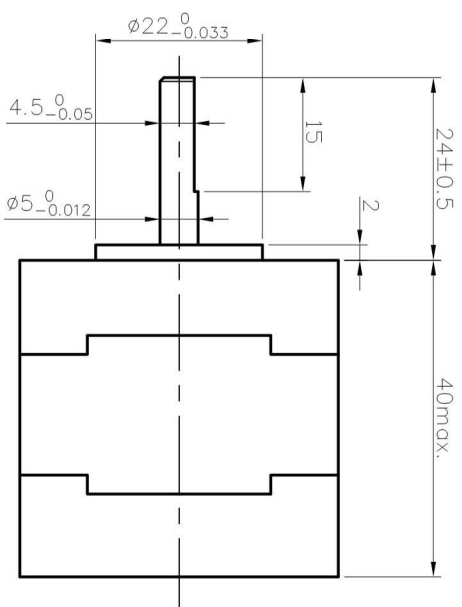


Dimension:
Unit:mm



Wiring Diagram:

Specifications:

Phase	2	Comment
Step Angle	1.8	deg.
Voltage	6	V
Current	1.2	A
Resistance	5±10%	Ω
Inductance	4.7±20%	mH
Holding Torque	3.5	kg.cm
Insulation Class	B	
Mass	0.24	kg
Color	Black	

Title:

Specification

Action
Technology

SM18A1740SCHBK-CS

Motor Type: SM1.8-A1740SCHBK-CS

1. 25A/ PH 400st ep/ rev 24VDC

